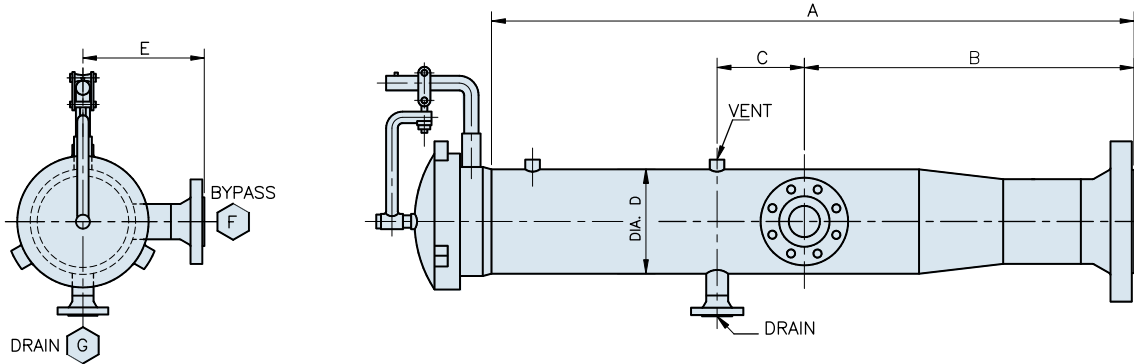


RECEIVERS



Line Size	A	B	C	D	E	F	G
4	62	29	7	6.625	11	2	1
6	66	31	8	8.625	12	3	2
8	74	34	9	10.75	13	4	2
10	82	36	10	12.75	14	4	2
12	90	38	11	16	16	6	4
14	112	45	12	18	16	6	4
16	114	50	14	20	17	8	4
18	120	55	16	22	20	10	6
20	124	58	16	24	21	10	6
24	130	60	18	28	23	10	6
26	138	64	18	30	24	10	6
28	148	68	20	32	26	12	6
30	160	74	22	34	28	12	8
36	172	80	24	40	32	14	8

Dimensions in inches

Standard Features:

- ANSI B31.3 / B31.4 / B31.8 Design
- Threaded Closure
- Mechanical clean and shop primer
- NDT per design code
- Full material traceability
- Hydrostatic test

Options:

- Alternate style closures available
- Bolted Blind Flange Closure
- Alternate dimensions to suit project requirements
- Larger sizes and pressure ratings available
- Special Coatings
- Saddles / Legs
- Vertical configuration
- Complete skid mounted assemblies
- Pig signallers
- 100% radiography
- Flanged Closure joint to Barrel
- Internal trays, vessel supports

Dimensions are suggested and subject to change