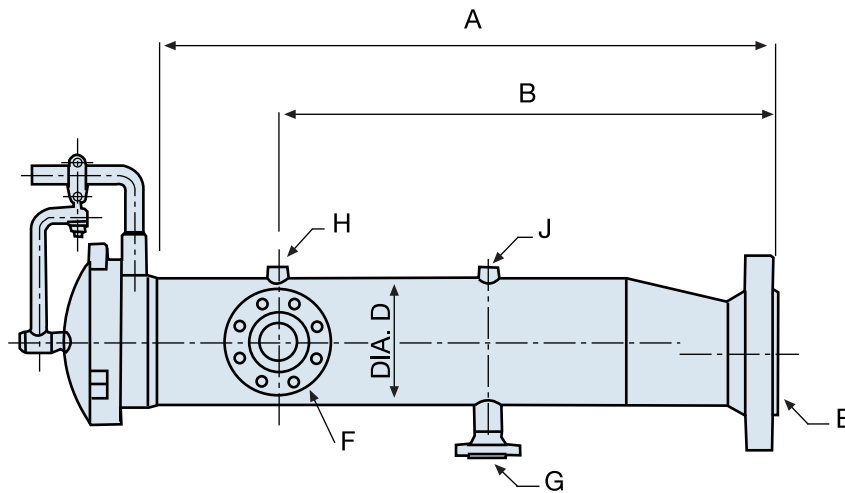


# PIG LAUNCHER SPECIFICATIONS



CUSTOMER		SHEET	
PROJECT		SPEC. NO.	REV
REFERENCE		CONTRACT	DATE
EQUIPMENT NAME		QUOTATION No.	
TAG No.		BY	CHK'D APPR.

BASIC LAYOUT (NOT TO SCALE)



## VESSEL DESIGN CHARACTERISTICS

DESIGN CODE		PROVISIONAL DIMENSIONS				
ASME CODE STAMP		A				
DESIGN PRESSURE		B				
DESIGN TEMPERATURE		C				
MIN. DESIGN METAL TEMP.		D				
RADIOGRAPHY		NOZZLE SCHEDULE				
MAG PARTICLE INSPECTION		ITEM	QTY	SIZE	RATING	SERVICE
CORROSION ALLOWANCE		E				OUTLET
HYDRO-TEST PRESSURE		F				KICKER
		G				DRAIN
		H				GAUGE
		J				VENT
MATERIALS	BARREL					
	FLANGES					
	FITTINGS					
	NACE					
SUPPORT SADDLES						
JAMISON MODEL NUMBER						

NOTES: