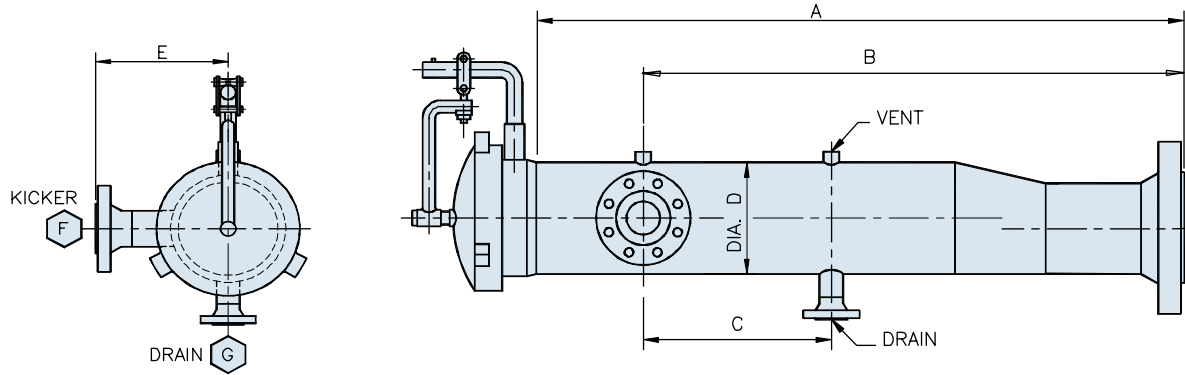


LAUNCHERS



Line Size	A	B	C	D	E	F	G
4	52	40	15	6.625	11	2	1
6	56	42	16	8.625	12	3	2
8	58	44	18	10.75	13	4	2
10	64	47	18	12.75	14	4	2
12	68	49	18	16	16	6	4
14	76	54	18	18	16	6	4
16	90	64	20	20	17	8	4
18	96	66	20	22	20	10	6
20	98	66	22	24	21	10	6
24	104	70	26	28	23	10	6
26	108	72	26	30	24	10	6
28	110	74	28	32	26	12	6
30	114	76	28	34	28	12	8
36	122	82	32	40	32	14	8

Dimensions in inches

Standard Features:

- ANSI B31.3 / B31.4 / B31.8 Design
- Threaded Closure
- Mechanical clean and shop primer
- NDT per design code
- Full material traceability
- Hydrostatic test

Options:

- Alternate style closures available
- Bolted Blind Flange Closure
- Alternate dimensions to suit project requirements
- Larger sizes and pressure ratings available
- Special Coatings
- Saddles / Legs
- Vertical configuration
- Complete skid mounted assemblies
- Cable entry port on neck for pulling pig into position
- Pig signallers
- 100% radiography
- Flanged Closure joint to Barrel
- Internal trays, vessel supports

Dimensions are suggested and subject to change