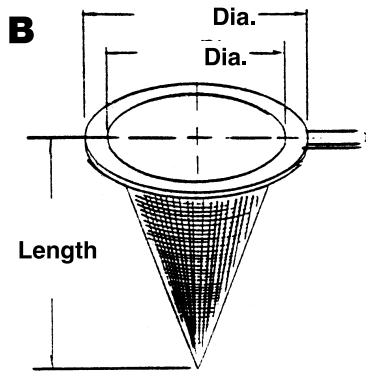
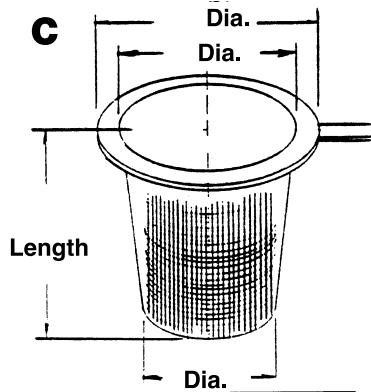


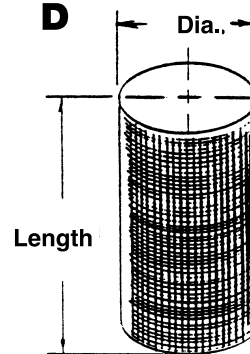
REPLACEMENT BASKETS



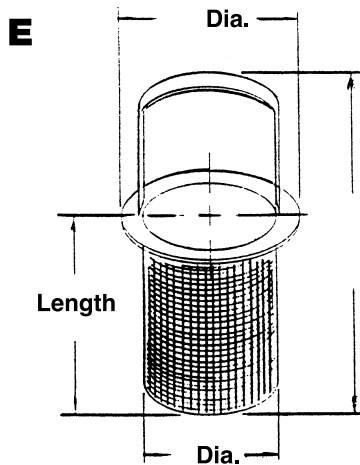
Cone Type Strainer



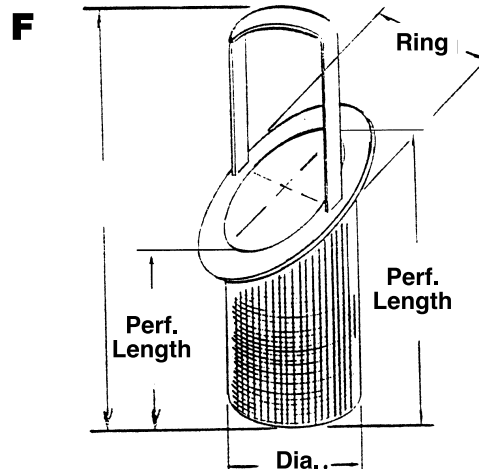
Cone Type Basket Strainer



Cylindrical Screen



Basket Strainer



Basket Strainer

We manufacture strainer baskets, screens, tubes, cones and tee strainers in stainless steel, Monel, titanium and other exotic metals.

Please send us your prints, samples or simply give us your requirements/specs in attached chart and let us design the strainer for you.

When Ordering Specify:

1. Pipe size _____
2. Pressure rating/flange rating _____
3. Perforation or mesh size _____
4. Material _____
5. Style - cone, basket, etc. _____
6. Direction of flow - straight or reverse _____
7. Percentage of open area or length _____