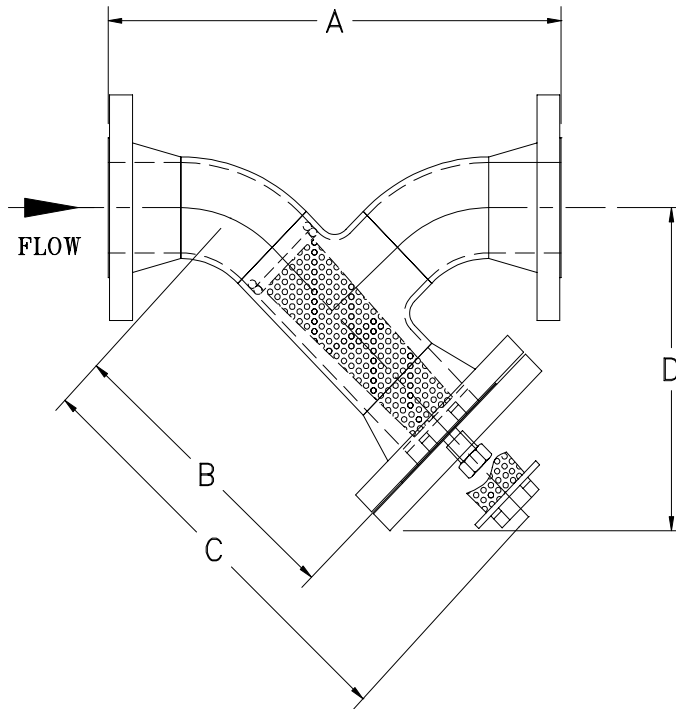


MODEL FYF-900



ANSI 900#RF FABRICATED 'Y' TYPE STRAINER



SIZE	DIMENSIONS				WEIGHT (LBS)
	A	B	C	D	
2"					
3"					
4"	24.1/4"	15.9/16"	31"	16.3/16"	242
6"					
8"					
10"					
12"					
14"					
16"					
18"					
20"					
24"					

Standard Features

- * Bolted Blind Flange Cover
- * 1/8" perforated basket
- * ASME B31.4 Design
- * NAF Cover Gasket
- * Carbon Steel Body

Options:

- * ANSI 150#, 300#, 600#, 1500#
- * Stainless Steel, High Alloy materials
- * DP Connections
- * Heavy wall and/or wedge wire basket
- * Spiral wound gasket