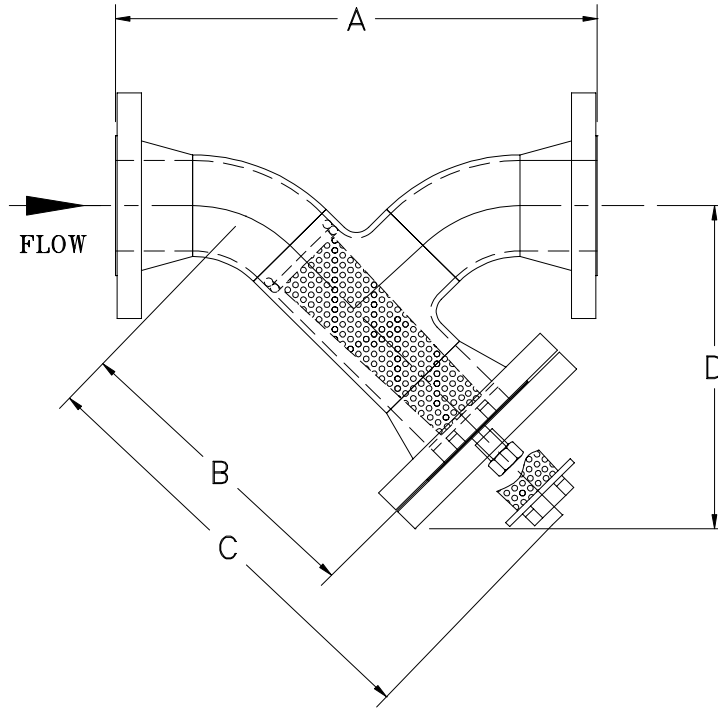


MODEL FYF-600



ANSI 600#RF FABRICATED 'Y' TYPE STRAINER



SIZE	DIMENSIONS				WEIGHT (LBS)
	A	B	C	D	
2"	14.1/2"	9.5/8"	18"	9.7/8"	55
3"	19.1/8"	12.1/2"	23"	12.3/4"	99
4"	23.1/4"	15.3/4"	29"	16.3/16"	189
6"	30.1/8"	19.7/8"	36"	20.5/8"	378
8"	38.5/16"	24.1/2"	44"	25.1/8"	590
10"	46.3/16"	29.1/2"	53"	30.1/8"	1003
12"	52.13/16"	33.7/8"	61"	34.1/8"	1219
14"	59.3/16"	37.1/2"	67"	37.3/8"	1348
16"	65.7/8"	41.1/4"	73"	41.1/4"	2330
18"	72.3/4"	45.3/4"	81"	45.11/16"	2846
20"	79.9/16"	50.1/4"	88"	50"	3618
24"	91.7/8"	56.1/4"	98"	56.5/8"	5029

Standard Features

- * Bolted Blind Flange Cover
- * 1/8" perforated basket
- * ASME B31.4 Design
- * NAF Cover Gasket
- * Carbon Steel Body

Options:

- * ANSI 150#, 300#, 900#, 1500#
- * Stainless Steel, High Alloy materials
- * DP Connections
- * Heavy wall and/or wedge wire basket
- * Spiral wound gasket