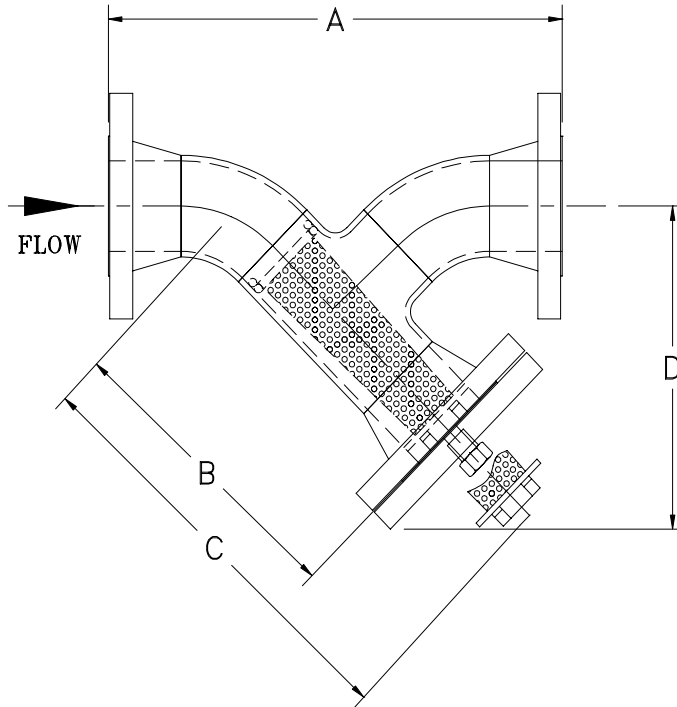


MODEL FYF-300



ANSI 300#RF FABRICATED 'Y' TYPE STRAINER



SIZE	DIMENSIONS				WEIGHT (LBS)
	A	B	C	D	
2"	13.3/4"	9.1/4"	18"	9.1/2"	42
3"	17.7/8"	12.1/8"	23"	12.1/2"	69
4"	21.1/2"	14.7/8"	28"	15.1/16"	118
6"	28.15/16"	18.7/8"	34"	18.15/16"	236
8"	36.1/16"	23.3/8"	42"	23.1/4"	406
10"	42.15/16"	27.7/8"	50"	27.5/8"	628
12"	50.5/16"	32.5/8"	58"	32.1/8"	863
14"	56.15/16"	36.5/16"	64"	35.3/4"	1171
16"	62.7/8"	39.3/4"	70"	39"	1516
18"	70.1/4"	44.1/2"	78"	43.1/2"	1939
20"	76.7/8"	48.7/8"	86"	47.5/8"	1939
24"	88.11/16"	54.5/8"	95"	53.7/8"	3342

Standard Features

- * Bolted Blind Flange Cover
- * 1/8" perforated basket
- * ASME B31.4 Design
- * NAF Cover Gasket
- * Carbon Steel Body

Options:

- * ANSI 150#, 600#, 900#, 1500#
- * Stainless Steel, High Alloy materials
- * DP Connections
- * Heavy wall and/or wedge wire basket
- * Spiral wound gasket