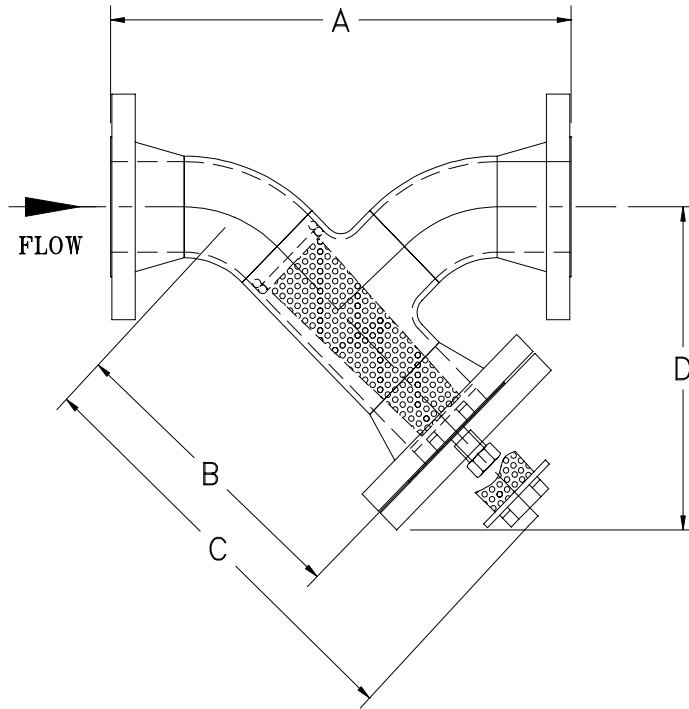


MODEL FYF-150



ANSI 150#RF FABRICATED 'Y' TYPE STRAINER



SIZE	DIMENSIONS				WEIGHT (LBS)
	A	B	C	D	
2"	13.1/4"	9"	16"	8.1/2"	34
3"	17.1/8"	11.1/2"	21"	10.3/4"	67
4"	20.3/4"	13.3/4"	25"	19.1/2"	93
6"	28.1/8"	18.1/2"	34"	17"	166
8"	35.5/16"	23"	41"	21"	282
10"	41.11/16"	27.1/4"	49"	24.15/16"	463
12"	49.1/16"	32"	57"	29.3/8"	625
14"	55.3/4"	35.3/4"	63"	32.3/4"	829
16"	61.3/8"	39"	68"	35.15/16"	1054
18"	68.3/4"	43.3/4"	77"	39.13/16"	1305
20"	75.1/2"	48.3/16"	84"	43.13/16"	1612
24"	87.7/16"	54"	93"	49.1/2"	2195

**Standard Features**

- \* Bolted Blind Flange Cover
- \* 1/8" perforated basket
- \* ASME B31.4 Design
- \* NAF Cover Gasket
- \* Carbon Steel Body

**Options:**

- \* ANSI 300#, 600#, 900#, 1500#
- \* Stainless Steel, High Alloy materials
- \* DP Connections
- \* Heavy wall and/or wedge wire basket
- \* Spiral wound gasket