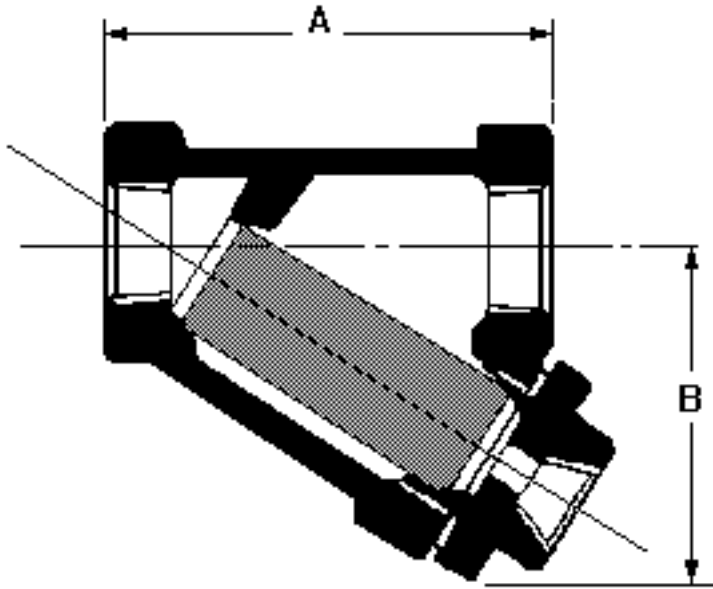


MODEL FYC-NPT



THREADED STAINLESS STEEL 'Y' TYPE STRAINER



SIZE	DIMENSIONS		Blowdown (NPT)	Standard Filtration	WEIGHT (LBS)
	A	B			
1/2"	3"	1.7/8"	1/4"	1/32" perf	1
3/4"	3.7/16"	2.3/16"	1/4"	1/32" perf	2
1"	4.1/16"	2.17/32"	1/2"	1/32" perf	3
1.1/2"	5.5/16"	3.17/32"	1/2"	1/32" perf	6
2"	6.5/8"	4.1/4"	1/2"	1/32" perf	11
2.1/2"	7.7/8"	5.5/16"	3/4"	3/64" perf	13
3"	8.7/8"	5.29/32"	3/4"	3/64" perf	18

Pressure & Temperature Ratings

Steam 600 psig @ 450°F
WOG 1480 psig @ 100°F

Standard Features

- * Bolted Blind Flange Cover
- * Stainless Steel Basket
- * NAF Cover Gasket
- * Stainless Steel Body & Cover ASTM A351 CF8M

Options:

- * Cast Iron, Steel, Bronze, High Alloy materials
- * DP Connections
- * Heavy wall and/or wedge wire basket
- * Spiral wound gasket