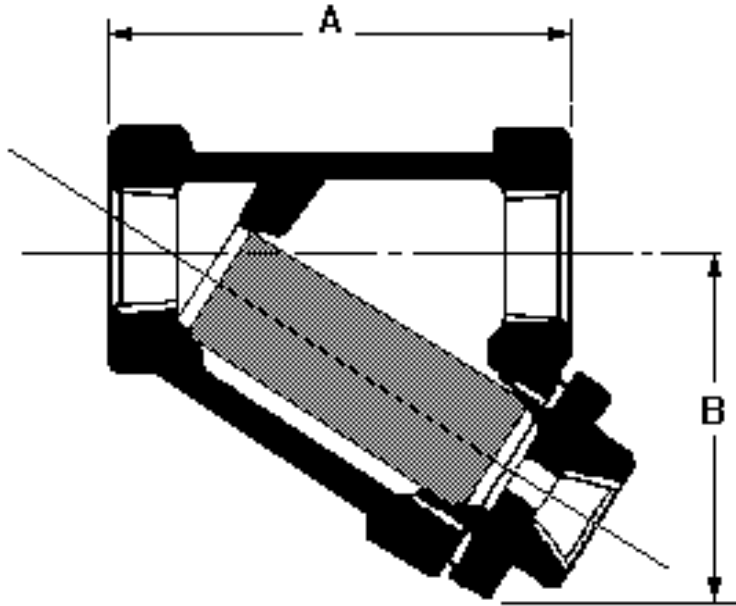


MODEL FYC-NPT-CS



THREADED CAST STEEL 'Y' TYPE STRAINER



SIZE	DIMENSIONS		Blowdown (NPT)	Standard Filtration	WEIGHT (LBS)
	A	B			
1/2"	3-1/4"	2-3/16"	1/4"	20 mesh	4
3/4"	3-5/8"	2-3/4"	1/4"	20 mesh	5
1"	4-1/4"	3-3/16"	1/2"	20 mesh	6
1.1/2"	6-1/4"	4-3/4"	1/2"	1/32" perf	10
2"	7-5/8"	6"	3/4"	1/32" perf	18
2.1/2"	8-3/8"	7"	1-1/4"	3/64" perf	25
3"	9-1/2"	8-1/2"	1-1/4"	3/64" perf	30

Pressure & Temperature Ratings

Steam 600 psig @ 486°F
WOG 1480 psig @ 100°F

Standard Features

- * Bolted Blind Flange Cover
- * Stainless Steel Basket
- * NAF Cover Gasket
- * Cast Steel Body & Cover ASTM A216 WCB

Options:

- * Cast Iron, Bronze, Stainless Steel, High Alloy materials
- * DP Connections
- * Heavy wall and/or wedge wire basket
- * Spiral wound gasket