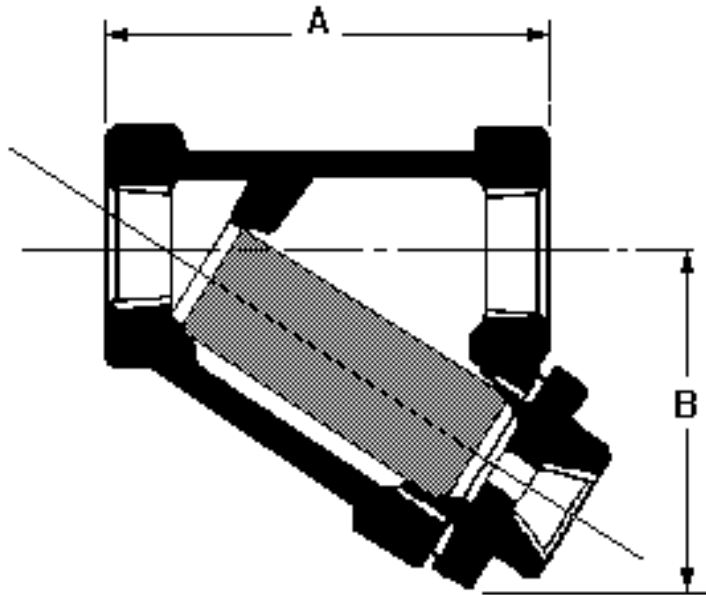


MODEL FYC-NPT-CI



THREADED CAST IRON 'Y' TYPE STRAINER



SIZE	DIMENSIONS		Blowdown (NPT)	Standard Filtration	WEIGHT (LBS)
	A	B			
1/2"	3-3/16"	2-1/16"	3/8"	20 Mesh	2
3/4"	3-3/4"	2-7/16"	1/2"	20 Mesh	3
1"	4"	2-5/8"	1/2"	20 Mesh	4
1.1/2"	5-3/4"	3-7/8"	3/4"	20 Mesh	9
2"	7"	4-3/4"	1"	20 Mesh	13
2.1/2"	9-1/4"	5-7/8"	1-1/2"	3/64" perf	24
3"	10"	6"	1-1/2"	3/64" perf	32

Pressure & Temperature Ratings

Steam 250 psig @ 400°F
WOG 400 psig @ 150°F

Standard Features

- * Bolted Blind Flange Cover
- * Stainless Steel Basket
- * NAF Cover Gasket
- * Cast Iron Body & Cover ASTM A126 Class B

Options:

- * Cast Steel, Bronze, Stainless Steel, High Alloy materials
- * DP Connections
- * Heavy wall and/or wedge wire basket
- * Spiral wound gasket