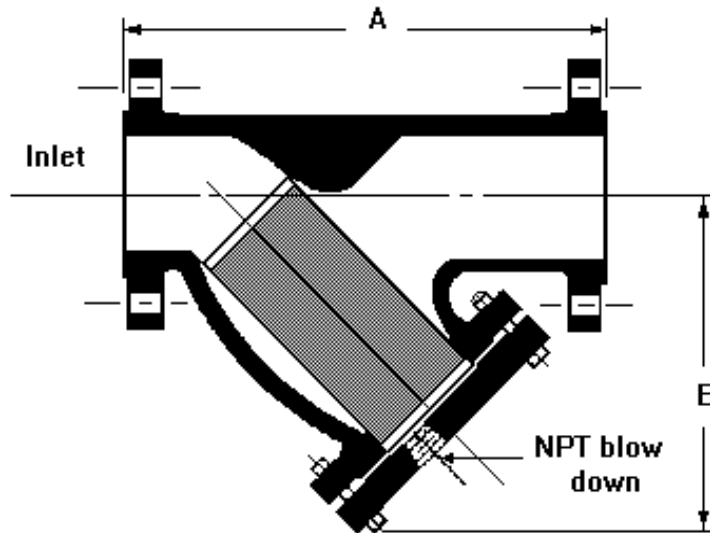


MODEL FYC-150-SS



ANSI 150#RF STAINLESS STEEL 'Y' TYPE STRAINER



SIZE	DIMENSIONS		Blowdown (NPT)	Standard Filtration	WEIGHT (LBS)
	A	B			
2"	8.5/8"	4.7/8"	1/2"	3/64" perf	20
2.1/2"	10.1/4"	7.1/2"	3/4"	3/64" perf	30
3"	11.5/8"	7.3/4"	1"	3/64" perf	40
4"	14.3/8"	9.1/8"	1.1/2"	1/8" perf.	70
6"	18.5/8"	13.3/8"	2"	1/8" perf.	130
8"	24.3/8"	14.5/8"	2"	1/8" perf.	195
10"	26"	17.1/4"	2"	1/8" perf.	310
12"	30.3/8"	21"	2"	1/8" perf.	460

**Pressure & Temperature Ratings**

Steam 150 psig @ 358°F  
 WOG 275 psig @ 100°F

**Standard Features**

- \* Bolted Blind Flange Cover
- \* Stainless Steel Basket
- \* NAF Cover Gasket
- \* Stainless Steel Body & Cover ASTM A351 CF8M

**Options:**

- \* Cast Iron, Steel, Bronze, High Alloy materials
- \* DP Connections
- \* Heavy wall and/or wedge wire basket
- \* Spiral wound gasket