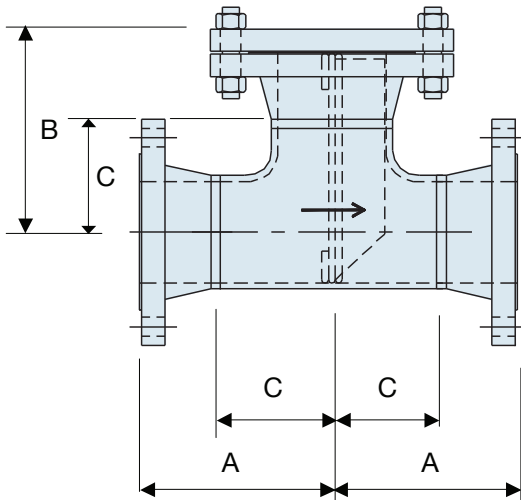
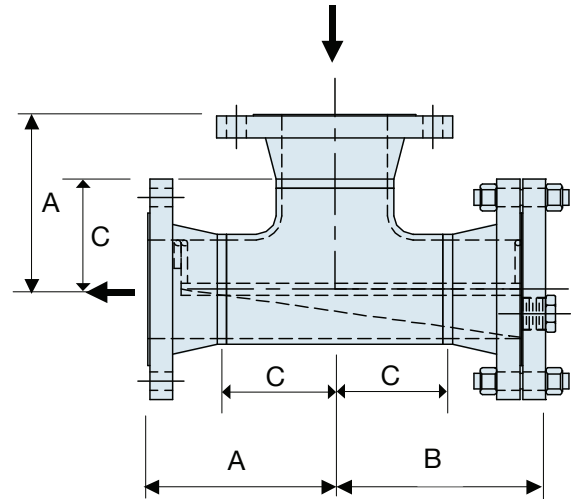


TEE STRAINERS

STRAIGHT FLOW MODEL FTS



ANGLE FLOW MODEL FTA



Standard Features:

- * Bolted blind flange cover
- * 1/8" perforated basket
- * NAF cover gasket

Line Size	ANSI 150#			ANSI 300#			ANSI 600#		
	A	B	C	A	B	C	A	B	C
2	5-1/8	6	2-1/2	5-3/8	6-3/8	2-1/2	5-1/2	6-5/8	2-1/2
3	6-1/4	7-5/16	3-3/8	6-5/8	7-7/8	3-3/8	6-3/4	8-1/8	3-3/8
4	7-1/4	8-3/8	4-1/8	7-5/8	9	4-1/8	8-1/4	9-7/8	4-1/8
6	9-1/4	10-3/8	5-5/8	9-5/8	11-3/16	5-5/8	10-3/8	12-3/8	5-5/8
8	11-1/8	12-3/8	7	11-1/2	13-1/4	7	12-3/8	14-11/16	7
10	12-5/8	14	8-1/2	13-1/4	15-1/4	8-1/2	14-5/8	17-1/4	8-1/2
12	14-5/8	16	10	15-1/4	17-3/8	10	16-1/4	19	10
14	16-1/8	17-5/8	11	16-3/4	19	11	17-5/8	20-1/2	11
16	17-1/8	18-3/4	12	17-7/8	20-1/4	12	19-1/8	22-1/4	12
18	19-1/8	20-7/8	13-1/2	19-7/8	22-3/8	13-1/2	20-7/8	24-1/4	13-1/2
20	20-13/16	22-5/8	15	21-1/2	24-1/8	15	22-5/8	26-1/4	15
24	23-1/8	25-1/8	17	23-3/4	26-5/8	17	25-1/8	29-1/4	17

Options:

- * Stainless steel, alloy materials
- * Hinged cover
- * Cover davit

- * Quick opening cover
- * Differential pressure gauge connections
- * DP gauge/switch (fitted)
- * Air release head (fitted)

- * Cad. plated bolting
- * Spiral wound gasket
- * Larger perf. or mesh liners
- * ANSI 900, 1500 & 2500# units

Notes:

Dimensions for guidance only, please request certified drawings.
 Larger sizes and pressure ratings available upon request.
 Special application requirements can be incorporated on request.
 Dimensions in inches.