

Model 121 Series "Filter Minder" Piston Type Differential Pressure Indicating Switch or Transmitter



Typical Transmitter Arrangement



Typical Switch Arrangement

Medium Range: 0-5 P.S.I.D. to 0-110 P.S.I.D. (0.35 to 7.0 bar)

A low cost differential pressure indicating switch or transmitter for use in measuring the pressure drop across filters, strainers, separators, valves, pumps, chillers etc., and for local flow indication and control.

- 1/2 NPT access with heavy duty switch/transmitter housing and terminal strip.
- Choice of one or two magnetically actuated hermetically sealed reed switches to provide high and low limit alarm or control. or 4-20ma transmitter.
- Simple, rugged, compact design.
- Working pressure 6000 P.S.I.G. (400 bar) Models 121-A and 121-S.
- Over-range protection to max. pressure.
- Aluminum or 316 stainless steel gauge body with 316 stainless steel internals
- Weather-resistant construction standard.
- Accuracy $\pm 2\%$ full scale (ascending)*.
- Shatter resistant lens.
- 2 1/2" and 4 1/2" plastic dial assemblies
- Five Year Limited Warranty

* ASME B40.100 Grade B

Model 121 Indicating Switch(es) or 4-20ma Transmitter SWITCHES

Features: Micro processor based ,
with external zero interface,
8-28 Vdc loop powered 2 wire interface

Electrical

Accuracy	± 2%(top 80% of scale)
Supply Voltage	8-28 Vdc
Output	4-20 ma
Max Loop Resistance	1000 Ohms

Interface

4 position terminal strip for 12-22 Awg
wire, (Pin 1 = return, Pin 2 = zero
Pin 3 = 8-20 Vdc, Pin 4 = chassis 1/2" NPT access

Environmental Rating

Weather Proof
(NEMA 4 X, IP65)

Features: One or two hermetically
sealed reed switches

Electrical

Switch rating and Adjustability

0-3W, .25 Amp
125 VAC (10-90% F.S.)^

60W, 3.0 Amp
240 VAC (25-90% F.S.)^

Interface

7 position terminal strip for 12-22 Awg wire
1/2" NPT access

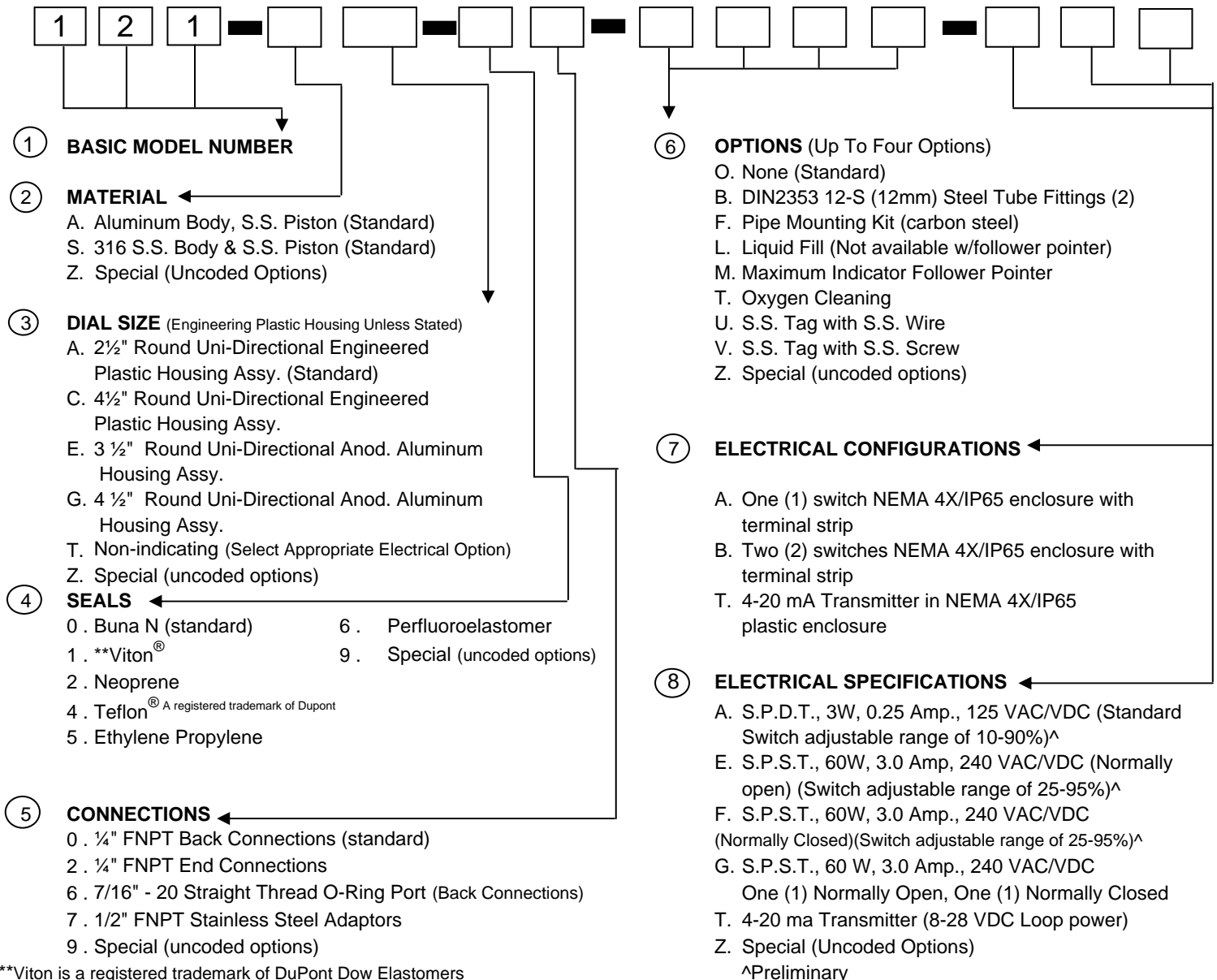
Environmental Rating

Weather Proof
(NEMA 4 X, IP65)

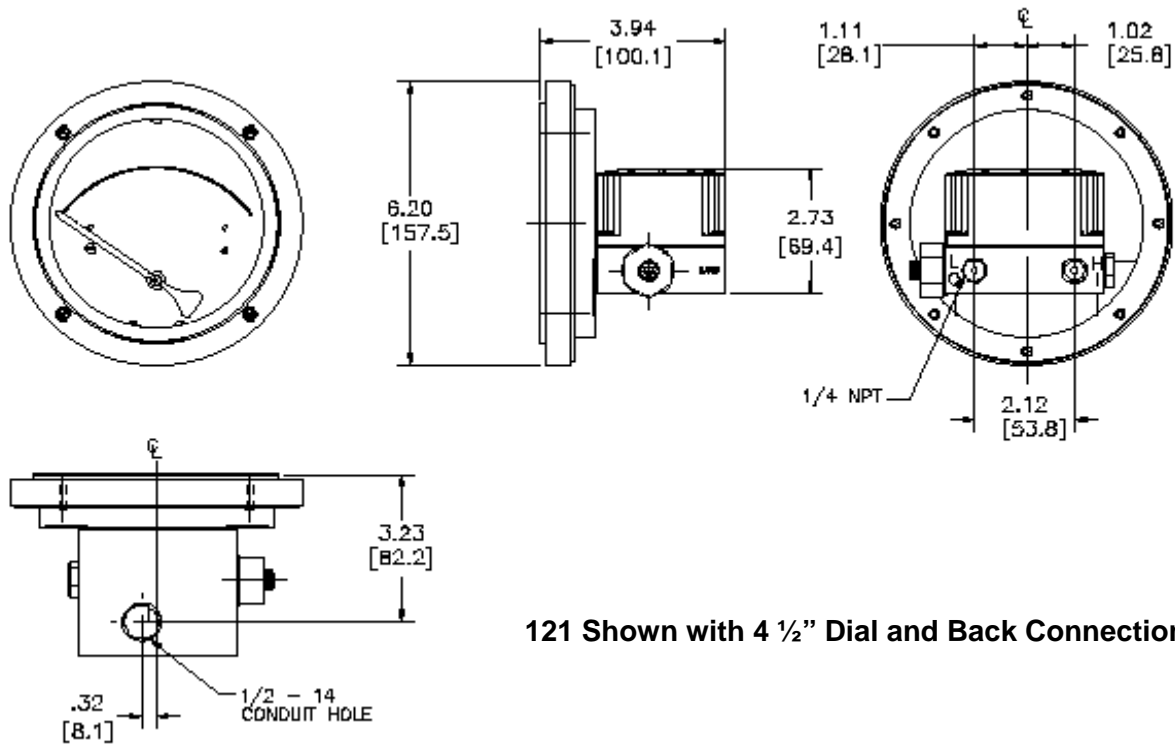
Standard Model Specifications 121-AA-00-O(AA)

6000 P.S. I G. Working Pressure Aluminum Body, Stainless Steel Piston, Ceramic Magnets, Buna N Seals, 2 1/2" Engineering Plastic Case with shatter-resistant lens. 1/4" FNPT Back Connections. Accuracy ±2% Full Scale (Ascending)*

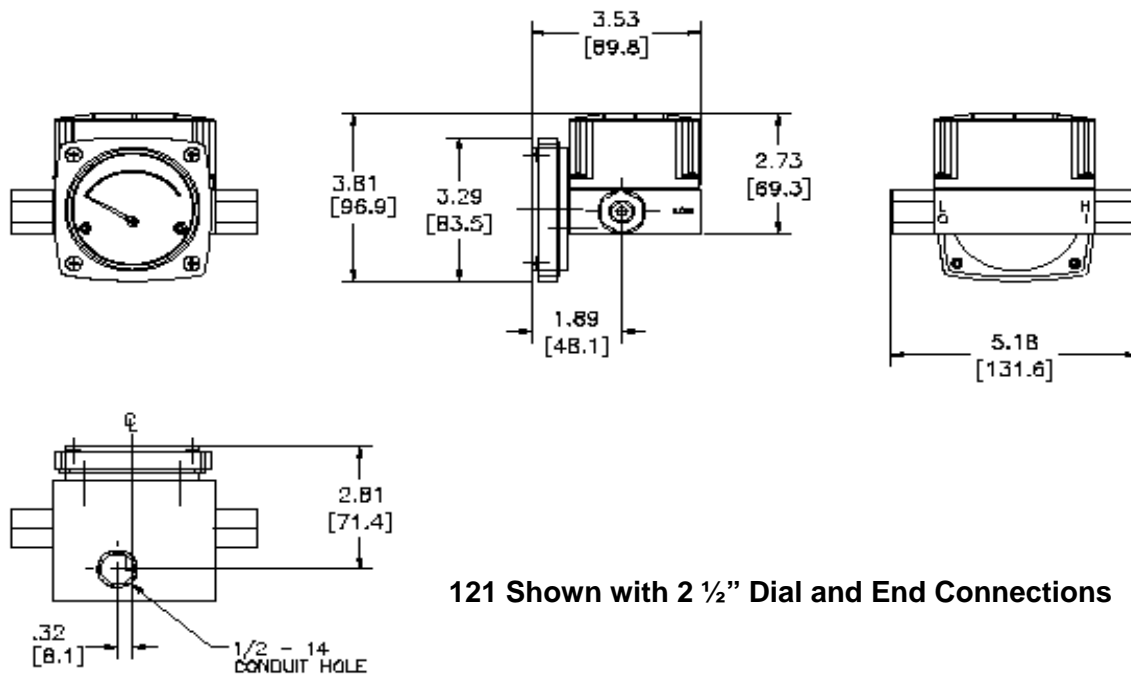
121 Part Numbering System



**Viton is a registered trademark of DuPont Dow Elastomers



121 Shown with 4 1/2" Dial and Back Connections



121 Shown with 2 1/2" Dial and End Connections