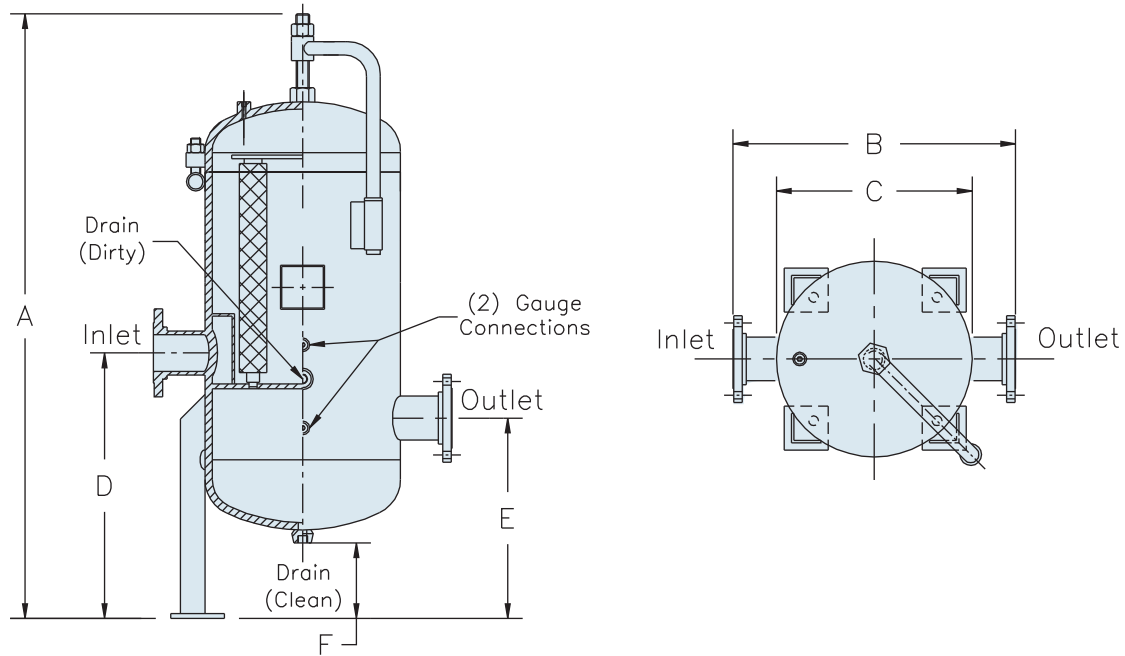


MODEL JCFL-150



ASME CODE CARTRIDGE FILTERS



Standard Features:

- * Quick Open Cover
- * 300 psi design
- * ASME VIII Div 1 Design code
- * 1/2" NPT Vent and 1" NPT Drain
- * Buna-N Cover O-Ring
- * Differential Pressure gauge connections
- * Support Legs

Options:

- * Stainless Steel Vessel
- * Davit or Hinged Cover
- * U-Stamp certification
- * DP gauge/switch
- * Air release heads
- * Cad. Plated Bolting
- * Weld neck flanges
- * Alternate Cover O-Rings
- * Flanged Vents and Drains
- * Additional ancillary connections
- * Lower or higher pressure ratings

Model	Inlet & Outlet	Qty of 10" Cartridges	A	B	C	D	E	F	Approx. Weight lbs.
JCF-150-4-75	4"	75	56"	26"	18"	28"	15"	5"	525
JCF-150-4-105	4"	105	58"	30"	20"	31"	16"	5"	625
JCF-150-6-105	6"	105	58"	30"	20"	32"	17"	5"	650
JCF-150-6-120	6"	120	60"	31"	22"	32"	18"	5"	825
JCF-150-4-156	4"	156	64"	34"	24"	34"	20"	5"	860
JCF-150-6-156	6"	156	64"	34"	24"	34"	20"	5"	870
JCF-150-8-225	8"	255	66"	40"	30"	40"	22"	6"	1150
JCF-150-8-306	8"	306	70"	42"	32"	42"	23"	6"	1500
JCF-150-8-408	8"	408	80"	42"	32"	42"	23"	6"	1650

Notes:

Dimensions for guidance only, please request certified drawings.
 Larger sizes and pressure ratings available upon request.
 Special application requirements can be incorporated on request.
 Dimensions in inches.