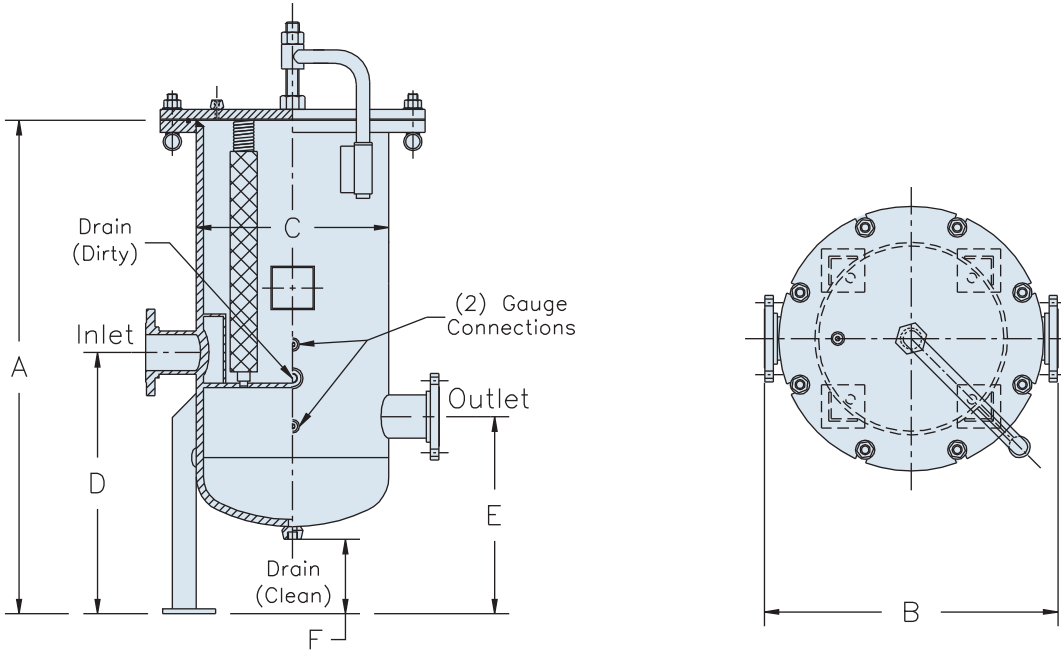


MODEL JCF-150



ASME CODE CARTRIDGE FILTERS

15-285 GPM



Standard Features:

- * Quick Open Cover
- * 300 psi design
- * ASME VIII Div 1 Design code
- * 1/2" NPT Vent and 1" NPT Drain
- * Buna-N Cover O-Ring
- * Differential Pressure gauge connections
- * Support Legs
- * Coated Carbon Steel Vessel

Options:

- * Stainless Steel Vessel
- * Davit or Hinged Cover
- * U-Stamp certification
- * DP gauge/switch
- * Air release heads
- * Cad. Plated Bolting
- * Weld neck flanges
- * Alternate Cover O-Rings
- * Flanged Vents and Drains
- * Additional ancillary connections
- * Lower or higher pressure ratings

Model	Inlet & Outlet	Qty of 10" Cartridges	A	B	C	D	E	F	Approx. Weight lbs.
JCF-150-2-9	2"	9	48"	13"	6-5/8"	20"	13"	5"	140
JCF-150-2-12	2"	12	37"	15"	8-5/8"	20"	13"	5"	190
JCF-150-2-18	2"	18	47"	15"	8-5/8"	20"	13"	5"	210
JCF-150-2-24	2"	24	48"	19"	10-3/4"	20"	14"	5"	270
JCF-150-3-36	3"	36	52"	21"	12-3/4"	23"	15"	5"	315
JCF-150-4-36	4"	36	52"	21"	12-3/4"	23"	15"	5"	320
JCF-150-4-57	4"	57	52"	24"	16"	23"	15"	5"	425

Notes:

Dimensions for guidance only, please request certified drawings.
 Larger sizes and pressure ratings available upon request.
 Special application requirements can be incorporated on request.
 Dimensions in inches.