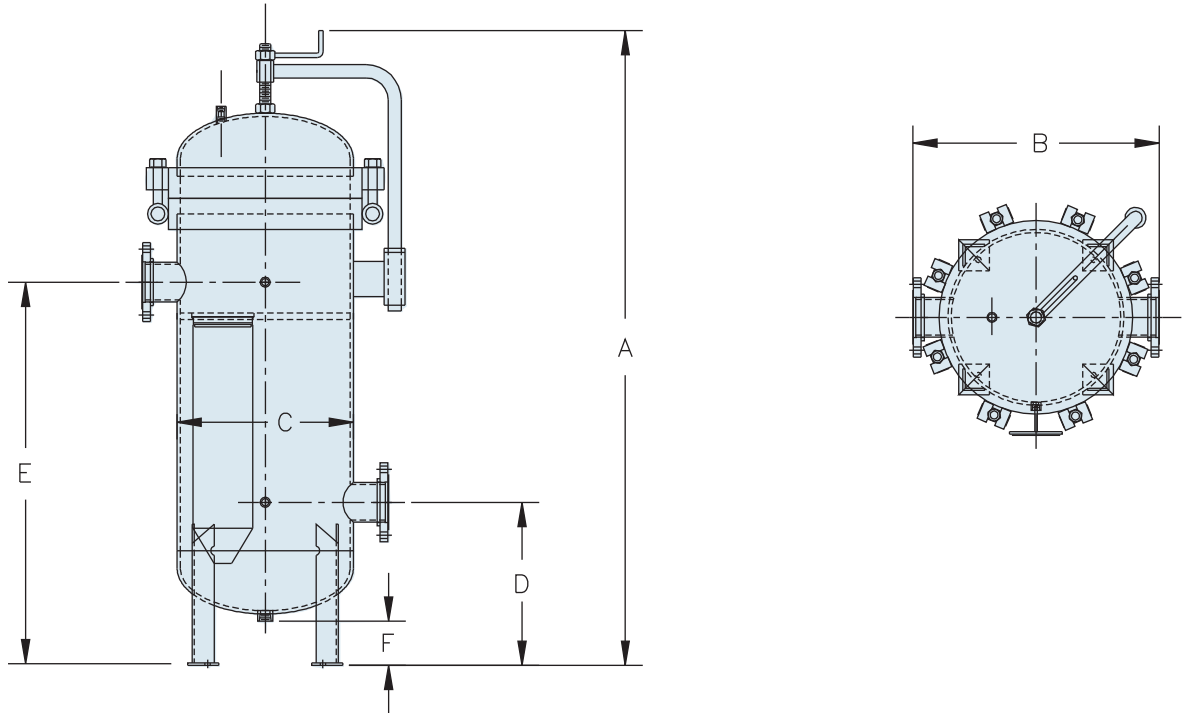


**MODEL JMBF-150**



**150 PSI MULTI-BAG FILTER**



**Standard Features:**

- \* Quick Open Cover
- \* 150 psi at 100 degrees F design
- \* ASME VIII Div 1 Design code
- \* 1/2" NPT Vent and 1" NPT Drain
- \* Buna-N Cover O-Ring
- \* Differential Pressure gauge connections
- \* Support Legs

**Options:**

- \* Stainless Steel, Alloy materials
- \* Hinged Cover
- \* U-Stamp certification
- \* DP gauge/switch (fitted)
- \* Air release heads (fitted)
- \* Cad. Plated Bolting
- \* Weld neck flanges
- \* Perforated Baskets with Mesh Liners
- \* Flanged Vents and Drains
- \* Additional ancillary connections

Model	Inlet & Outlet	Qty of Bags	A	B	C	D	E	F	Approx. Weight lbs.
JMBF-150-3-3	3"	3	66"	26"	18"	17"	45"	5"	550
JMBF-150-4-4	4"	4	66"	28"	20"	17"	45"	5"	650
JMBF-150-4-5	4"	5	70"	30"	22"	18"	45"	5"	760
JMBF-150-6-6	6"	6	72"	32"	24"	18"	45"	5"	880
JMBF-150-6-7	6"	7	74"	36"	26"	20"	45"	5"	970
JMBF-150-8-8	8"	8	77"	36"	28"	22"	48"	6"	1390
JMBF-150-8-10	8"	10	80"	42"	32"	23"	50"	6"	1690
JMBF-150-10-14	10"	14	84"	46"	36"	25"	52"	6"	1800
JMBF-150-12-18	12"	18	88"	52"	42"	27"	54"	6"	2500

**Notes:**

Dimensions for guidance only, please request certified drawings.  
 Larger sizes and pressure ratings available upon request.  
 Special application requirements can be incorporated on request.  
 Dimensions in inches.