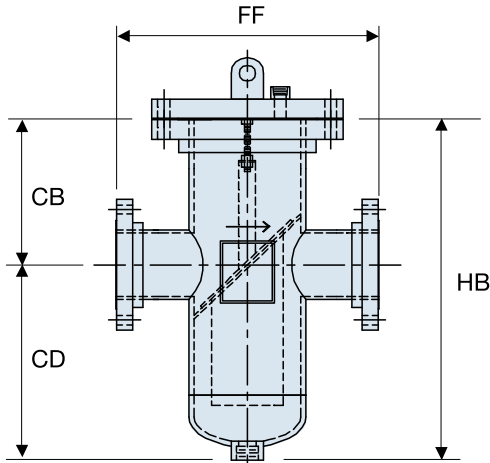


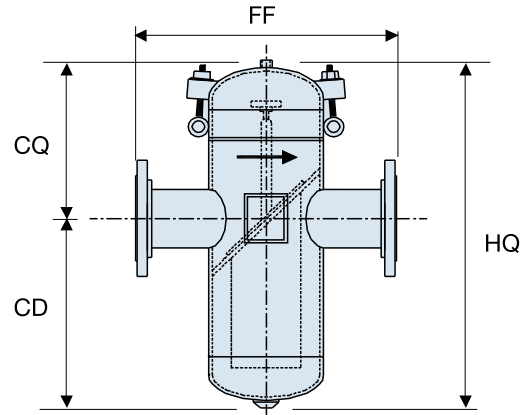
MODEL FB-150, FQ-150



ANSI 150#RF BASKET STRAINER



MODEL FB - BOLTED COVER



MODEL FQ - QUICK OPEN COVER

Standard Features:

- * Bolted Blind Flange Cover
- * 1/8" Perforated Basket
- * NPT Vent (1/2") and Drain
- * ANSI B31.4 Design
- * NAF Cover Gasket

Standard Features:

- * Quick Opening Swing Bolt Cover
- * 1/8" Perforated Basket
- * NPT Vent (1/2") and Drain
- * ANSI B31.4 Design
- * Buna O-Ring

Line Size	Body Dia	FF	CD	CB	HB	Drain NPT	CQ	HQ	FB Weight lbs	FQ Weight lbs
2	4-1/2	16	8	7	15	3/4	na	na	60	na
3	6-5/8	17	12	8	20	3/4	11	23	115	80
4	8-5/8	18	14	9	23	3/4	13	27	180	120
6	10-3/4	22	18	10	28	1	14	32	280	190
8	12-3/4	26	21	12	33	1	17	38	400	260
10	14	30	24	14	38	1	19	43	600	410
10	16	32	24	14	38	1-1/2	20	44	690	460
12	16	33	24	16	40	1-1/2	22	46	730	500
12	18	34	28	17	45	1-1/2	23	51	880	590
14	18	37	29	17	46	1-1/2	23	52	930	640
16	20	40	30	18	48	2	25	55	1210	840
16	24	42	39	20	59	2	28	67	1550	975
18	24	42	39	20	59	2	28	67	1650	1110
20	24	44	43	24	67	2	32	75	1840	1290
20	30	50	51	30	81	2	40	91	2530	2190
24	30	56	51	30	81	2	40	91	2720	2380

Options:

- * Stainless Steel, Alloy materials
- * Hinged Cover
- * Cover Davit
- * ANSI B31.3, 8 or ASME VIII Div 1
- * U-Stamp certification
- * Support Legs or skirt
- * DP gauge connections
- * DP gauge/switch (fitted)
- * Air release head (fitted)
- * Cad. Plated Bolting
- * Weld neck flanges
- * Larger Perf or Mesh liners
- * Replaceable mesh liner
- * Flanged Vent and Drain
- * Additional ancillary connections
- * Heavy duty baskets and wedge wire
- * Blow-down basket

Notes:

Dimensions for guidance only, please request certified drawings.
 Larger sizes and pressure ratings available upon request.
 Special application requirements can be incorporated on request.
 Lower pressure drop designs available on request.
 Dimensions in inches.