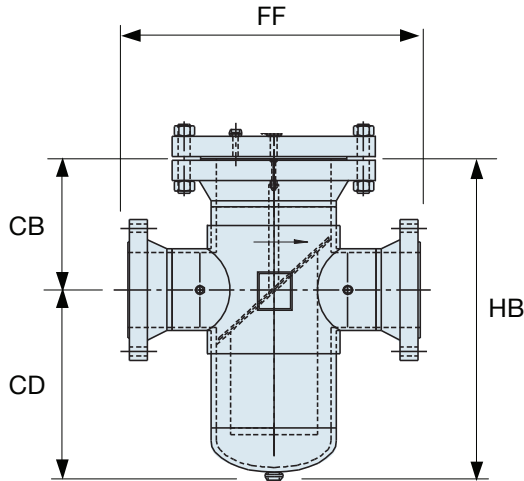


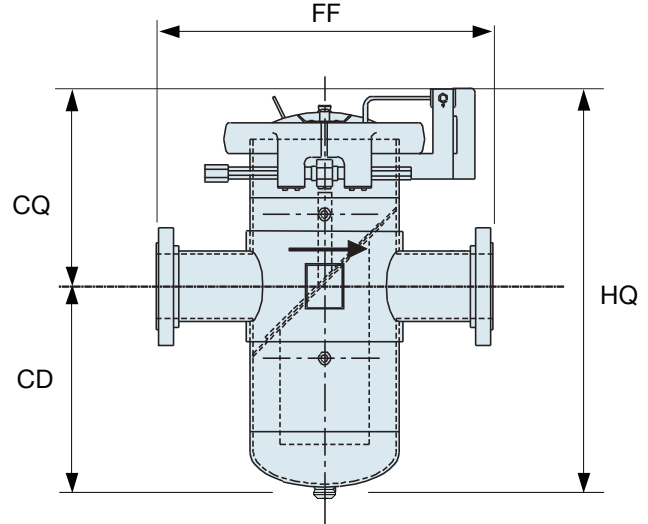
ANSI 600#RF BASKET STRAINER



MODEL FB - BOLTED COVER

Standard Features:

- * Bolted Blind Flange Cover
- * 1/8" Perforated Basket
- * NPT Vent (1/2") and Drain
- * NAF Cover Gasket



MODEL FQ - QUICK OPEN COVER

Standard Features:

- * Quick Opening Closure
- * 1/8" Perforated Basket
- * NPT Vent (1/2") and Drain
- * Buna O-Ring

Line Size	Body Dia	FF	CD	CB	HB	Drain NPT	CQ	HQ	FB Weight lbs	FQ Weight lbs
2	4-1/2	20	9	7	16	3/4	na	na	132	na
3	6-5/8	20	12	8	20	3/4	12	24	272	155
4	8-5/8	24	16	12	28	3/4	14	30	520	290
6	10-3/4	28	19	14	33	1	18	37	782	535
8	12-3/4	32	22	16	38	1	22	44	1077	765
10	14	34	24	18	42	1	23	47	1416	1050
10	16	36	24	18	42	1-1/2	24	48	1754	1280
12	16	38	30	21	51	1-1/2	27	57	1917	1445
12	18	42	30	21	51	1-1/2	28	58	2281	1730
14	20	44	31	22	53	1-1/2	32	63	2413	1865
16	20	48	37	24	61	2	37	74	3152	2455
16	24	52	40	25	65	2	38	78	4355	3275
18	24	54	40	26	66	2	39	79	4560	3480
20	24	56	46	27	73	2	40	86	5029	3950
20	30	60	51	30	81	2	43	94	5762	5305
24	30	62	53	30	83	2	46	99	6505	6045

Options:

- * Stainless Steel, Alloy materials
- * Hinged Cover
- * Cover Davit
- * ASME B31.3, B31.4, B31.8, ASME VIII Div 1
- * U-Stamp certification

- * Support Legs or skirt
- * DP gauge connections
- * DP gauge/switch (fitted)
- * Air release head (fitted)
- * Cad. Plated Bolting
- * Spiral Wound Gasket

- * Weld Neck Flanges
- * Larger Perf or Mesh liners
- * Replaceable mesh liner
- * Flanged Vent and Drain
- * Heavy duty baskets and wedge wire
- * Blow-down basket

Notes:

Dimensions for guidance only, please request certified drawings.
 Larger sizes and pressure ratings available upon request.
 Special application requirements can be incorporated on request.
 Lower pressure drop designs available on request.
 Dimensions in inches.