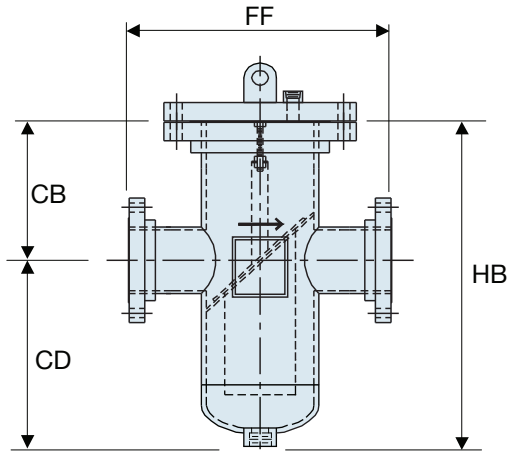


**MODEL FB-300, FQ-300**



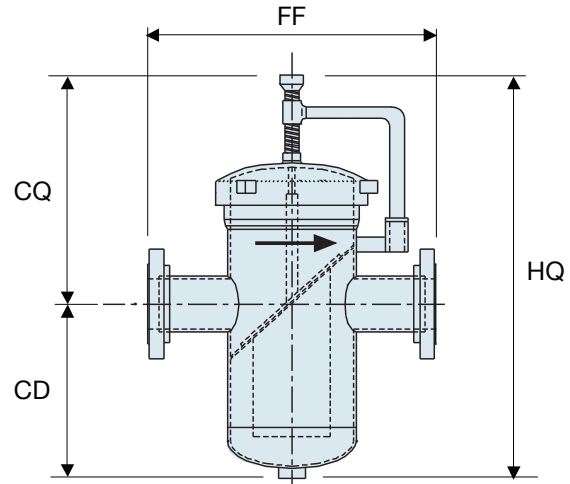
**ANSI 300#RF BASKET STRAINER**



**MODEL FB - BOLTED COVER**

**Standard Features:**

- \* Bolted Blind Flange Cover
- \* 1/8" Perforated Basket
- \* NPT Vent (1/2") and Drain
- \* NAF Cover Gasket



**MODEL FQ - QUICK OPEN COVER**

**Standard Features:**

- \* Threaded quick open closure
- \* 1/8" Perforated Basket
- \* NPT Vent (1/2") and Drain
- \* Buna closure O-Ring

Line Size	Body Dia	FF	CD	CB	HB	Drain NPT	CQ	HQ	FB Weight lbs	FQ Weight lbs
2	4-1/2	14	9	6	15	3/4	9	18	89	na
3	6-5/8	17	13	9	21	3/4	18	31	170	131
4	6-5/8	18	13	9	21	3/4	18	31	270	202
6	10-3/4	24	19	10	29	1	22	41	442	380
8	12-3/4	26	22	12	34	1	24	46	657	560
10	14	30	24	14	38	1	36	60	911	745
10	16	34	24	16	40	1-1/2	39	63	1033	1050
12	16	36	26	16	42	1-1/2	41	67	1186	1200
12	18	38	28	17	45	1-1/2	42	70	1462	1360
14	18	40	29	17	46	1-1/2	43	72	1613	1510
16	20	42	32	19	51	2	46	78	1979	1760
16	24	44	40	20	60	2	48	88	2738	2350
18	24	45	40	20	60	2	50	90	2913	2525
20	24	47	43	24	67	2	52	95	3190	2800
20	30	52	51	30	81	2	60	101	3981	4160
24	30	58	51	30	81	2	60	101	4476	4660

**Options:**

- \* Stainless Steel, Alloy materials
- \* Hinged Cover
- \* Cover Davit
- \* ASME B31.3, B31.4, B31.8, ASME VIII Div 1
- \* U-Stamp certification
- \* Support Legs or skirt
- \* DP gauge connections
- \* DP gauge/switch (fitted)
- \* Air release head (fitted)
- \* Cad. Plated Bolting
- \* Spiral Wound Gasket
- \* Weld Neck Flanges
- \* Larger Perf or Mesh liners
- \* Replaceable mesh liner
- \* Flanged Vent and Drain
- \* Heavy duty baskets and wedge wire
- \* Blow-down basket

**Notes:**

Dimensions for guidance only, please request certified drawings.  
 Larger sizes and pressure ratings available upon request.  
 Special application requirements can be incorporated on request.  
 Lower pressure drop designs available on request.  
 Dimensions in inches.