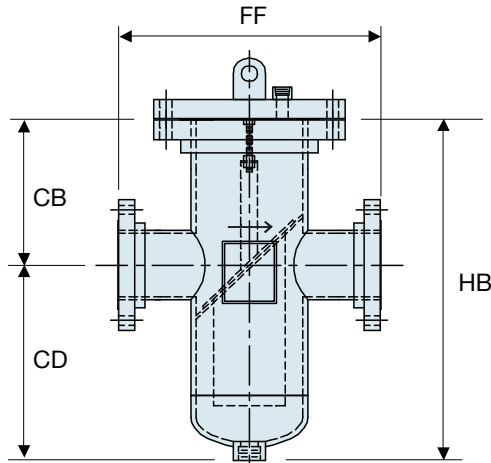


MODEL FB-150, FQ-150



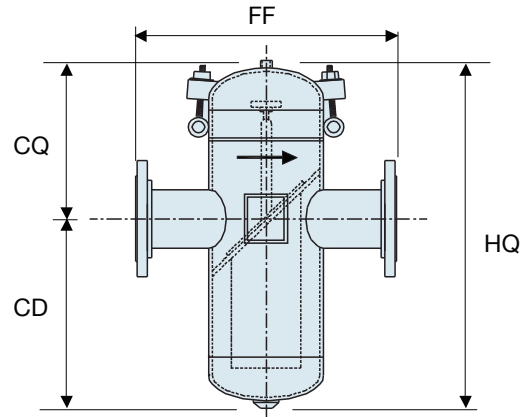
ANSI 150#RF BASKET STRAINER



MODEL FB - BOLTED COVER

Standard Features:

- * Bolted Blind Flange Cover
- * 1/8" Perforated Basket
- * NPT Vent (1/2") and Drain
- * NAF Cover Gasket



MODEL FQ - QUICK OPEN COVER

Standard Features:

- * Quick Opening Swing Bolt Cover
- * 1/8" Perforated Basket
- * NPT Vent (1/2") and Drain
- * Buna O-Ring

Line Size	Body Dia	FF	CD	CB	HB	Drain NPT	CQ	HQ	FB Weight lbs	FQ Weight lbs
2	4-1/2	14	9	6	15	3/4	na	na	60	na
3	6-5/8	17	13	8	21	3/4	10	23	115	80
4	6-5/8	18	13	8	21	3/4	10	23	180	120
6	10-3/4	22	19	10	29	1	13	32	280	190
8	12-3/4	26	22	12	34	1	15	37	400	260
10	14	30	24	14	38	1	19	43	600	410
10	16	32	24	14	38	1-1/2	20	44	690	460
12	16	33	26	16	42	1-1/2	20	46	730	500
12	18	34	26	17	43	1-1/2	20	46	880	590
14	18	37	29	17	46	1-1/2	23	52	930	640
16	20	40	32	18	50	2	25	57	1210	840
16	24	42	40	20	60	2	28	68	1550	975
18	24	42	40	20	60	2	28	68	1650	1110
20	24	44	43	22	65	2	32	75	1840	1290
20	30	50	51	30	81	2	40	91	2530	2190
24	30	56	51	30	81	2	40	91	2720	2380

Options:

- * Stainless Steel, Alloy materials
- * Hinged Cover
- * Cover Davit
- * ASME B31.3, B31.4, B31.8, ASME VIII Div 1
- * U-Stamp certification

- * Support Legs or skirt
- * DP gauge connections
- * DP gauge/switch (fitted)
- * Air release head (fitted)
- * Cad. Plated Bolting
- * Weld neck flanges

- * Larger Perf or Mesh liners
- * Replaceable mesh liner
- * Flanged Vent and Drain
- * Additional ancillary connections
- * Heavy duty baskets and wedge wire
- * Blow-down basket

Notes:

Dimensions for guidance only, please request certified drawings.
 Larger sizes and pressure ratings available upon request.
 Special application requirements can be incorporated on request.
 Lower pressure drop designs available on request.
 Dimensions in inches.