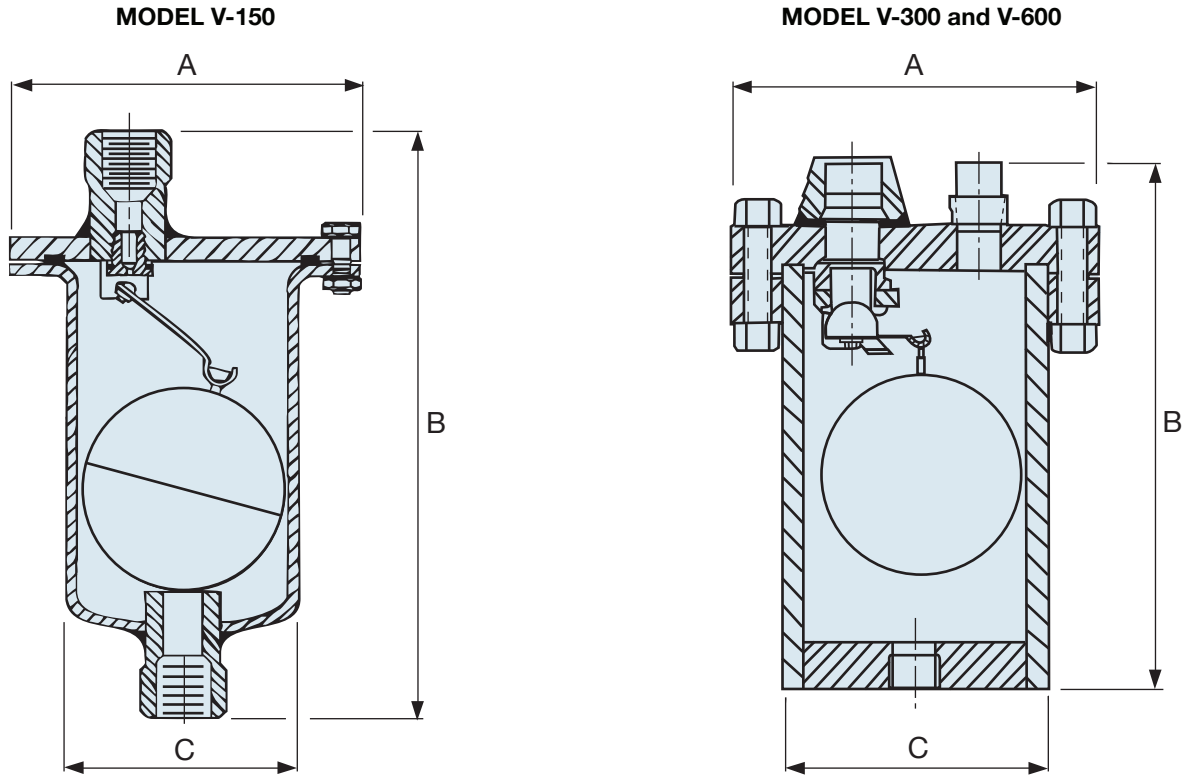


MODEL V-150, V-300, V-600



AIR RELEASE VENT



In/Out Size	Vent Figure No.	Dimensions			Weight lbs	Design pressure at design temp.	Max. Temp °F Deg f	Std. Body Material
		A	B	C				
1/2"	V-150A	4-1/2	7-5/8	3	5	300 @ 150	500	SS
3/4"	V-150B	4-1/2	7-5/8	3	5	300 @ 150	500	SS
1/2", 3/4"	V-300A	6-1/4	8-5/8	4-1/2	23	1000 @ 150	750	CS
3/4", 1", 1-1/4"	V-300B	7-3/4	11-1/4	5-5/8	46	1000 @ 150	750	CS
1", 1-1/4", 1-1/2"	V-300C	9-1/8	13-3/8	6-5/8	75	1000 @ 150	750	CS
1-1/4", 1-1/2"	V-300D	10-1/4	14-3/4	7-5/8	106	1000 @ 150	750	CS
1-1/2", 2"	V-300E	11-5/8	16-1/4	8-5/8	147	1000 @ 150	750	CS
1/2", 3/4"	V-600A	7-1/4	9	4-3/4	33	1500 @ 150	850	CS
3/4", 1"	V-600B	9	9-3/4	5-9/16	61	1500 @ 150	850	CS
1", 1-1/4"	V-600C	10-1/2	11-5/8	7	102	1500 @ 150	850	CS
1-1/2", 2"	V-600D	13-3/4	14-1/2	9-1/4	215	1500 @ 150	850	CS

Standard Features:

- * Stainless Steel internals
- * Non-asbestos cover gasket

Options:

- * Inlet isolation valve
- * Inlet strainer
- * Flanged connections
- * Check valve on outlet

Notes:

Dimensions for guidance only, please request certified drawings.
 Special application requirements can be incorporated on request.
 Dimensions in inches.